

PULL CADEAU

2 chevrons à l'endroit

Neither disco nor punk, neither baba-cool nor clean-jogging, here is the super sweater : the retro sweater! A Fair-isle type knitting job not calling for a great deal of know-how: the Citroën trade mark of the thirties. In grey, white and blue. Or other colours, as you fancy. Times are hard. Times are cold. It is proper that the (almost) naked should be clothed. Auntie Pia will tell you how. Follow her directions – a gift from Double Chevron to its readers. Get out your wools, grab your knitting needles!

Materials:

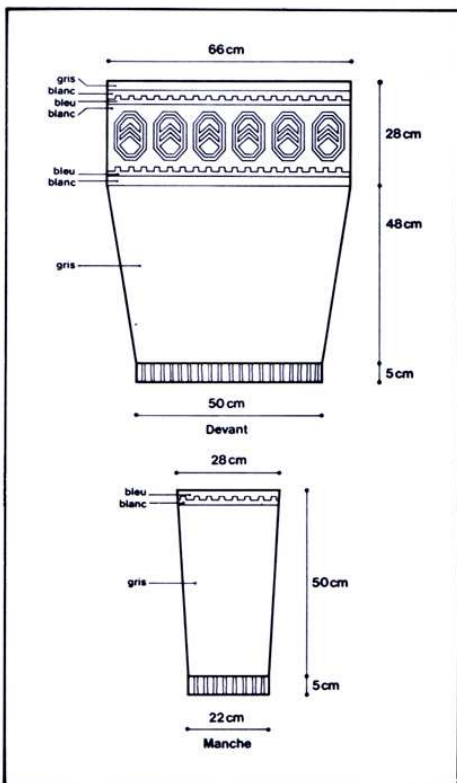
Adult size

Pingouin confortable double knitting

10 balls of GREY ///

4 balls of BLUE 000

4 balls of WHITE vvv



Stitches used:

1 plain, 1 purl rib / 2 plain 2 purl rib. Stocking stitch. Fair-isle stocking stitch. Needles: 3 1/2 - 4 (mm diameter)

Procedure:

Front

Cast on 104 stitches. Work 2" K2 P2 rib. Continue in stocking stitch (one row plain, one row purl); increase one stitch at each end of the needle every 3 cm (1 1/5") until there are 134 stitches. Continue without further shaping until work measures 38 cm (15").

Then:

- 4 rows: WHITE • 1 row: 2 stitches BLUE, 1 stitch WHITE, to end of row
- 1 row: BLUE • 5 rows: GREY

Then continue: following the Fair-isle diagram given, finishing with: • 1 row: BLUE • 1 row: 1 stitch WHITE, 2 stitches BLUE to end of row • 5 rows: WHITE • 4 rows: GREY

Back

As for front, but finishing with:

- 9 rows: GREY

Sleeves

Cast on 25 stitches. Rib in K1 P1 for 2". Continue in stocking stitch, increasing one stitch at each end of needle every 4th row until there are 136 stitches. Continue without further shaping until work measures 18".

Then:

- 5 rows: WHITE • 1 row: 1 stitch WHITE, 3 stitches BLUE to end of row
- Finish with: • 1 row: BLUE

Join front and back at side seams. Fold sleeves and sew seam before joining on to the body. Press the garment, and slip it lovingly onto its delighted intended owner.

